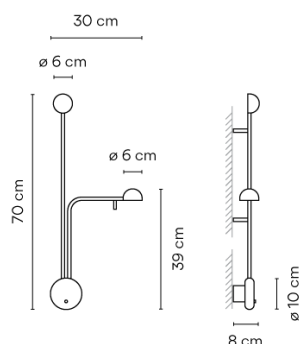






1686

Design By Ichiro Iwasaki

Wall lamp. Design by Ichiro Iwasaki. Wall light which provides passageways with ambient illumination via indirect light. Available in white, black, cream and green matt finishes.

Model Sheet



Finish	 62 Green NCS S 3010-G20Y
	 58 Cream NCS S 2005-Y20R
	 04 Black NCS 9000N
	 93 White NCS S 0502-Y

LED temperature color	2700 K
Dimming	On/ Off
Installation type	Surface Canopy

Materials	Head: Aluminium
	Base: Zamak
	Diffuser: Polycarbonate
	Rods: Steel

Light source	2 x LED 4,48W 350mA E
---------------------	--------------------------

LED	CRI>90 905.9 lm 100.66 2700 K
------------	----------------------------------

Driver	CC - Constant Current 350 100-240 V 50/60 HZ
---------------	---

Remarks	Switch on the wall plate
----------------	--------------------------

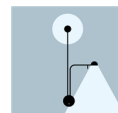


Application	Wall Lamps
--------------------	------------

Packaging	1 Box
	0.792 m x 0.445 m x 0.177 m
	Gross weight 2.64
	Net weight 1.2
	Vol. 0.0623

Lighting effect**General Lighting**

Lamp that emits an upward or backward beam that is reflected by the ceiling or wall.

**Photometric Data**

Efficiency	46.09%
Coordinate System	CG
Total Flux	900.00
Maximum Value	112.33

Other Applications